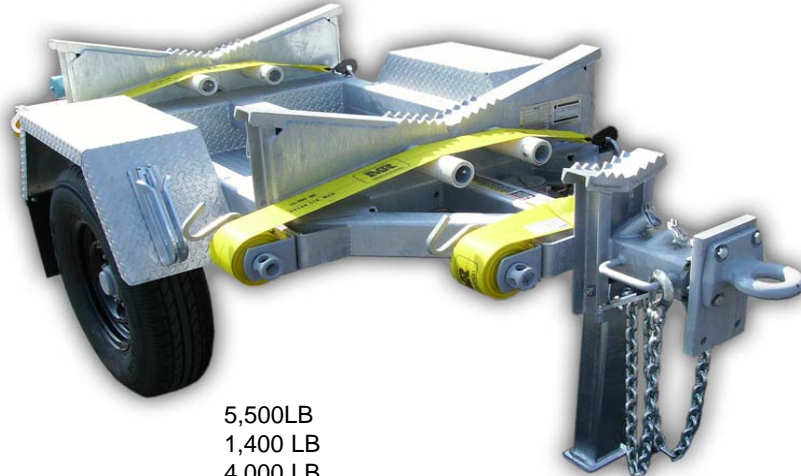




**PUBLIC UTILITY
TRANSPORTATION SYSTEMS**

MODEL # EPT20024 GALVANIZED POLE TRAILER

LTSLSPU0142 7/16/08



GVWR	5,500LB
EMPTY WEIGHT	1,400 LB
CAPACITY	4,000 LB
DIMENSIONS	108"L X 63 3/4"W X 38 1/2"LOADED HEIGHT
CARGO AREA	49 7/8" L X 33 1/4" W
GENERAL CONSTRUCTION	4" X 4" X 1/4" STRUCTURAL TUBE FRONT TO REAR 4" X 3" X 1/4" STRUCTURAL TUBE FRAME RAILS FLOOR PLATE CARGO AREA W/ DRAINAGE 12 GA FENDERS (2) GRAB HANDLES ON TONGUE
POLE CRADLES	3" CHANNEL "V" CRADLES FRONT & REAR, TONGUE LEAD CRADLE, PVC WRAPPED BINDER PIPES ON CRADLE BOLSTER FOR 180° POLE WRAP, CRADLE TEETH POLE GRIPPERS
FRONT JACK	7,000LB STATIC LOAD SIDE WIND TRUNNION MOUND JACK BOLT RETAINED W/ 4" X 6" SANDSHOE.
AXLE	6,000 TORSION AXLE WITH OPTIONAL NEVER LUBE BEARINGS, 12" X 2" ELECTRIC BRAKES
TIRE & WHEEL	ST235/80R16 LRE 16 X 6
COUPLER	TOWING EYE, 3" 60,000 LB. CAP. BOLT ON
SAFETY CHAINS	3/8" GRADE 70 W/ 1/2" SPRING CATCH HOOK
BINDERS	(3) 6000 LB WINCH W/ SAFETY RELEASE (3) 4" X 27' POLYESTER LATEX WINCH STRAPS W/ DELTA RING
FINISH	HOT DIPPED GALVANIZING WITH NON SKID COATING ON FENDERS
ELECTRICAL	TRUCK-LITE SHOCK MOUNTED LED LIGHTS & SEALED WIRING HARNESSES THROUGHOUT, SEALED AND TERMINATED INTO JUNC TION BOXES, FRONT PLUG SOCKET, SEALED BREAKAWAY SWITCH WIRED TO SOLAR MAINTAINED BATTERY
LIGHT BAR	INTEGRAL YELLOW POWDER COAT ALUMINUM W/ LED LIGHTS. 25 FOOT INTEGRAL CORD TWO SPRING BIND FLAG HOLDERS
POLE DRAWBAR	12,500 LB CAP. W/ 3" EYE & 3/8" G8 SAFETY CHAINS (BOLTS TO POLE) HOT DIP GALVANIZED STORES ON TRAILER



MGS Incorporated